

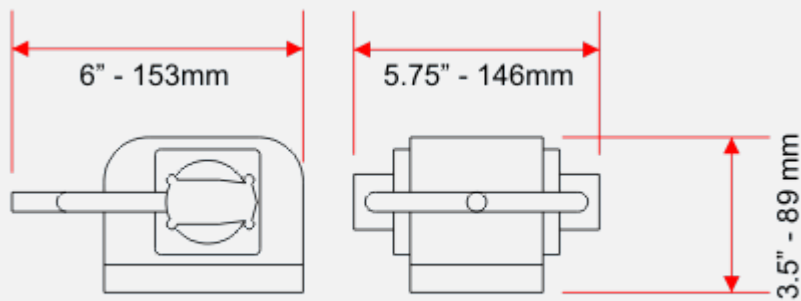


PRESERVATECH

PRESERVE YOUR PRICELESS TREASURES

AIR PUMP

FOR MINI ONE AND FILTERING SYSTEM



Pump

Power:	220VAC or 110VAC
Connection:	Cable with IEC C14 male connector.
Weight:	1.4 kg
Other:	Shipped with 1.5 m silicone hose